

BUTTON HEAD CABLE TIES

CLASS C COMPONENTS

6825 SUNWOOD DRIVE N.W. RAMSEY, MN 55303
PH 763-535-0400 FAX 763-535-1400



ISO 9001 Certified Company
www.classccomponents.com
Quality • Service • Versatility

ACT

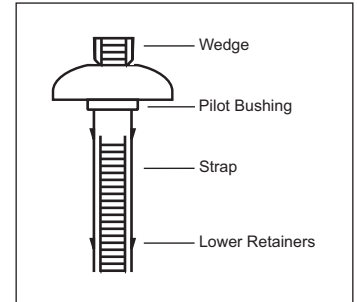
ADVANCED CABLE TIES, INC.



BUTTON HEAD CABLE TIES

Designed to securely attach bundle to chassis while allowing removal prior to tightening

- Provides parallel entry and exit through the button head
- Serrations on both sides of cable tie and two opposed pawls allow for clockwise or counter-clockwise installation
- Heat stabilized to provide high operating temperatures of 230°F
- Impact resistant material resists high impact fatigue and endures vibrations
- Weather resistant UV black for outdoor use and sun protection



ACT Part Number	Length Inch/mm	Width Inch/mm	Thickness Inch/mm	Pilot Bushing Diameter Inch/mm	Pilot Bushing Thickness Inch/mm	Head Diameter Inch/mm	Head Height Inch/mm	Tensile Strength lb/n	Max Bundle Dia. In/mm	Per Bag	Per Case
AL-08-120-BH-IT-30-C	7.87/200.0	0.30/7.60	0.065/1.65	0.43/10.9	0.079/2.0	0.952/24.18	0.276/7.0	120/534	2.00/450.9	100	2000
AL-11-120-BH-IT-30-C	11.81/300.0	0.30/7.60	0.065/1.65	0.43/10.9	0.079/2.0	0.952/24.18	0.276/7.0	120/534	3.25/82.8	100	1500
AL-14-120-BH-IT-30-C	14.56/370.0	0.30/7.60	0.065/1.65	0.43/10.9	0.079/2.0	0.952/24.18	0.276/7.0	120/534	4.07/103.5	100	1000

COO: CN

Sold in case quantities

Related product lines



Heat Stabilized
UV Black Nylon 66



Spiral Wrap



Dual Loop
Cable Ties

ACT
ADVANCED CABLE TIES, INC.



ISO 9001:2015
Certified System
008555